

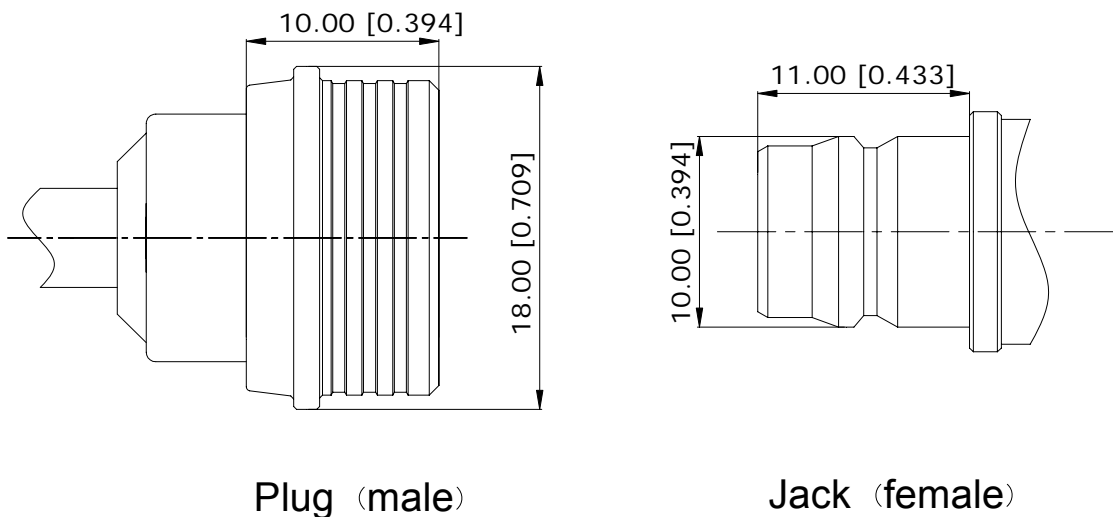
SERIES HPQN CONNECTORS

DESCRIPTION

Patented in 2008 by Anoisson Electronics, the HPQN is a quick locking version of the widely used type N connector. By replacing the threaded interface of the original N with a snap-on coupling mechanism, the HPQN series is able to provide 10x faster mating, denser packaging and greater flexibility since the connector may be rotated 360° while in the mated position.

This was achieved without impairing electronic performance up to 11 GHz. by designing the locking mechanism around the internal structural parameters of the original type N. The resulting high performance in addition to the increased speed and convenience make the HPQN ideal for a tremendous range of applications.

INTERFACE DIMENSIONS



FEATURES OF HPQN CONNECTORS

- Cycle time improvement for making RF Connections (10 times faster to mount than threaded connectors)
- No torque required
- Higher packaging density
- Free-rotating connection when mated
- Eliminates loosening problems associated with connectors
- Same performance as N
- Best intermodulation performance thanks to the unique interface design

HPQN General Specification

ELECTRICAL	REQUIREMENTS
Impedance	50Ω
Frequency Range	DC to 6 GHz(flexible cable) DC to 11 GHz(semi-rigid cable)
Dielectric Withstanding Voltage	2500 V RMS 50 Hz, sea level
Working Voltage	≤1,000 V RMS 50 Hz, sea level
VSWR	Straight: DC-11 GHz≤1.3(Semi-rigid cable) R/A: DC-11 GHz≤1.5(Semi-rigid cable)
Insulation Resistance	5×10 ³ M Ohms min.(initial)
Power Handling	300 W @ 2.5 GHz typical
Contact Resistance	
- Centre contact	1.5 mΩ max.(initial)
- Outer contact	1.5 mΩ max.(initial)
Passive Intermodulation	-155 dBc @ 1.8 GHz 2x20 W static
Screening Effectiveness 100 MHz to 3 GHz	- 90 dB min

MECHANICAL	REQUIREMENTS
Mating Characteristics	
- Engagement Force	30 N typical
- Disengagement Force	30 N typical
Interface Retention Force	200 N
Durability	200 Mating Cycles per min.
Connector Pitch	12.4 mm min. center to center

ENVIRONMENTAL	REQUIREMENTS
Temperature Range	-40°C to +125°C
Climactic Category	IEC 60169-1 16.4 (-40°C/ +85°C)
Rapid Temperature Change	IEC 60169-1 16.7 (-40°C to +125°C)
Corrosion	Salt spray test acc.To MIL-STD-202 F,Method 101 D,Condition B
Moisture Resistance	MIL-STD-202 F,Method 106 F
Vibration	IEC-1169-1 Paragraph9.3.3(10-500 Hz;5g)
Dust & Moisture protection	IEC 60529

Some connectors may have a specification that differs from the above mentioned data.

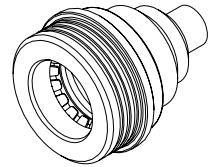
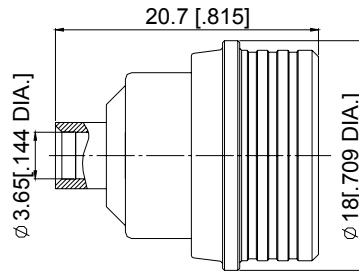
The products are designed and guaranteed to pass the above mentioned test procedures. Any additional or different requirement arising from specific applications or environmental conditions which is not covered by these test procedures is subject to request.

CABLE CONNECTORS

Straight Cable Plugs (male)

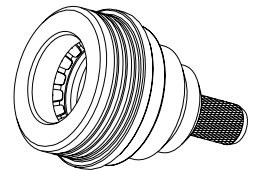
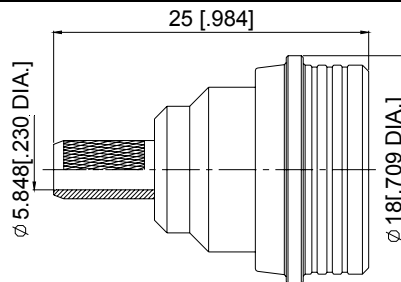
>for semi-rigid cables

Part No.	Description
5311-2010	HPQN straight male solder for semi-rigid.141



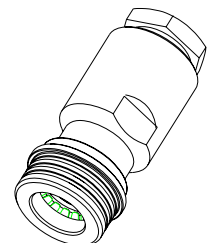
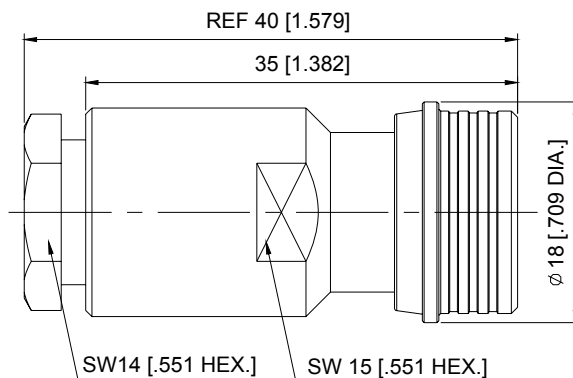
>for flexible cables

Part No.	Description
5311-2008	HPQN straight male crimp for RG58/LMR195



>for flexible cables

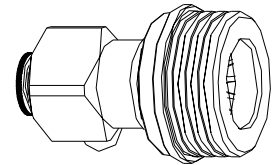
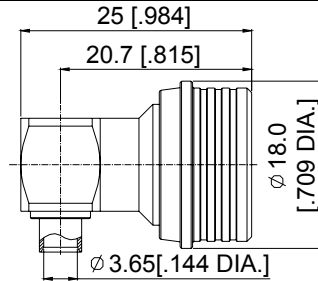
Part No.	Description
5311-2009	HPQN Straight male crimp for LMR300



Right Angle Cable Plugs (male)

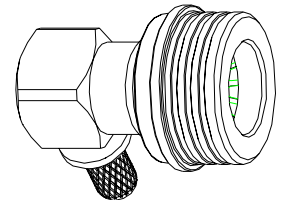
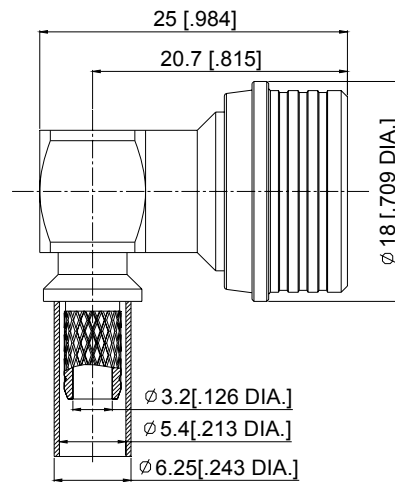
>for semi-rigid cables

Part No.	Description
5321-2011	HPQN right angle plug for RG402



>for flexible cables

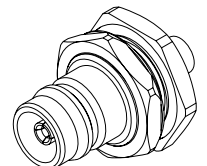
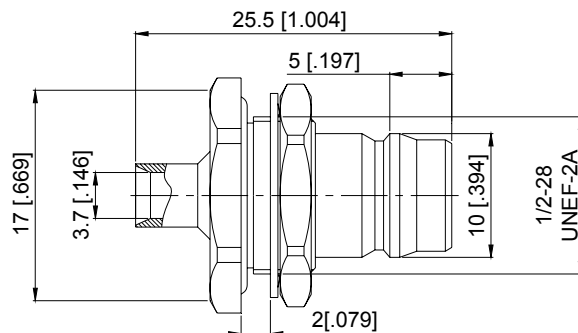
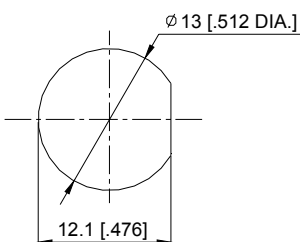
Part No.	Description
5321-2003	HPQN right angle plug for RG58/LMR195



Straight Bulkhead Cable Jacks (Female)

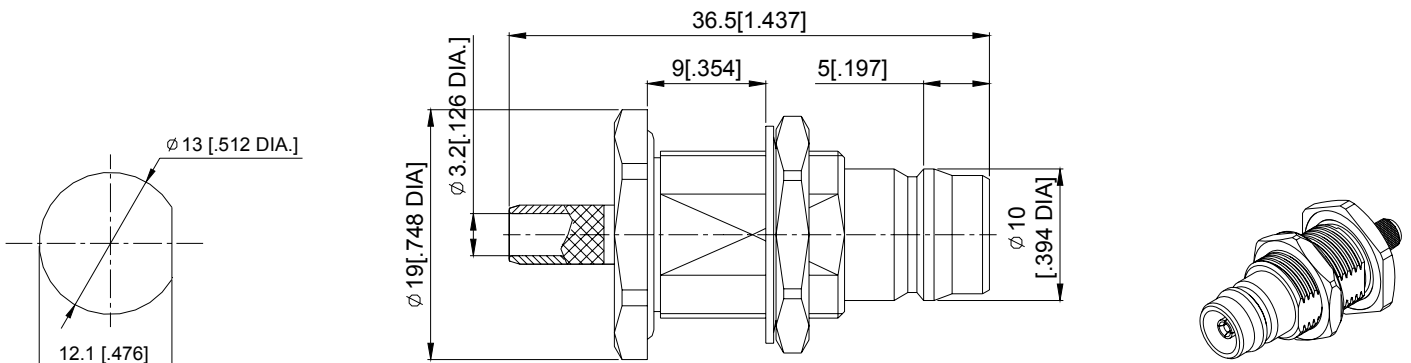
>for semi-rigid cables

Part No.	Description
5312-1004	HPQN straight jack BHD for RG402



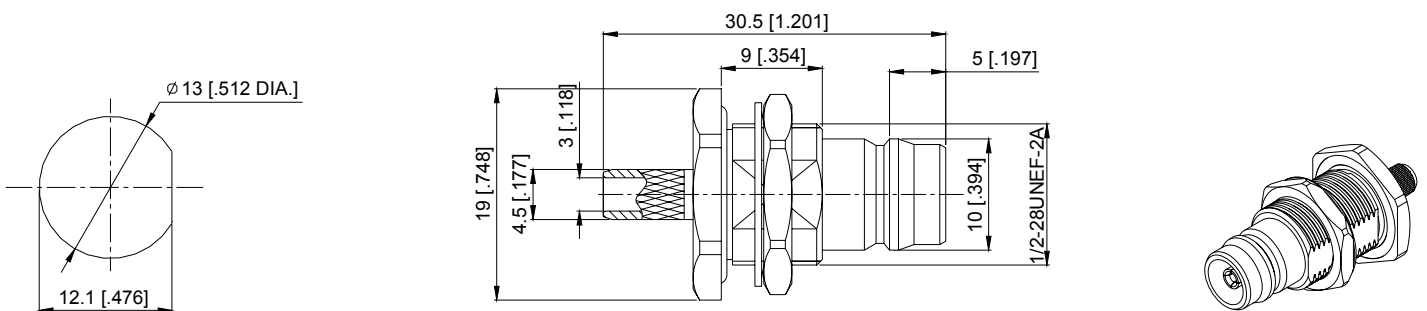
>for flexible cables

Part No.	Description
5312-2006	HPQN straight jack BHD for RG58, LMR195,



>for flexible cables

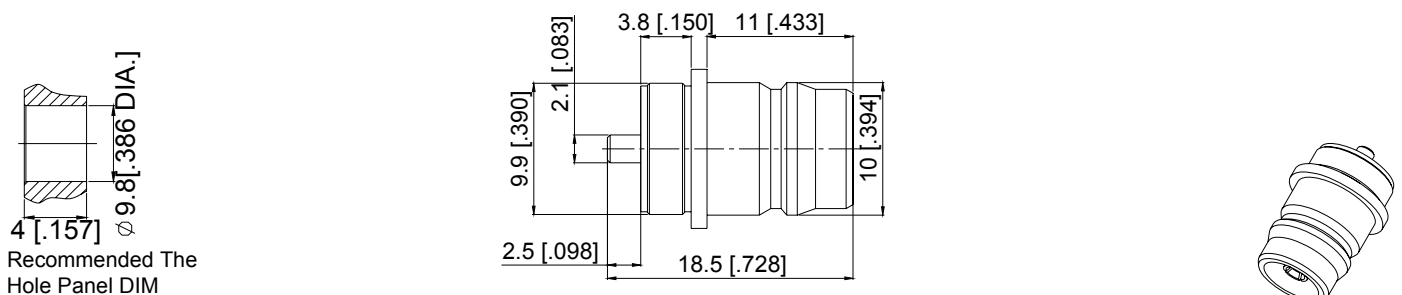
Part No.	Description
5312-2007	HPQN Female bulkhead CRIMP FOR RG400,RG142



EXPOSED TEFLON

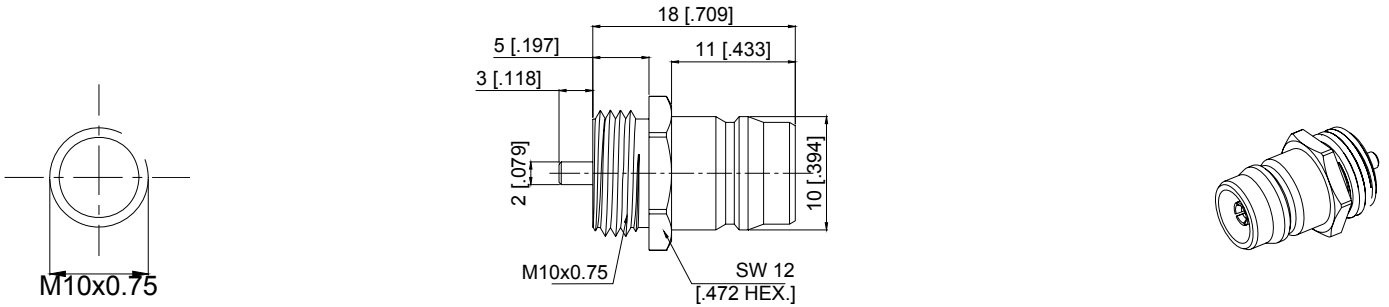
>Panel Mount, Bulkhead

Part No.	Description
5312-5001	HPQN straight jack press in panel mounted



>Panel Mount, Bulkhead

Part No.	Description
5312-5002	HPQN straight jack screw panel mounted



>4 Holes Panel

Part No.	Description
5312-3012	HPQN female receptacle,4 hole square flange

